



MOUNTING INSTRUCTIONS

Hand towel dispenser

Handdoekdispenser

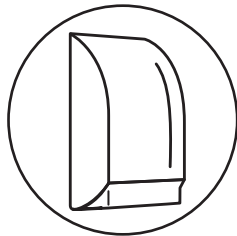
Handtuchspender

Distributeur essuie-mains

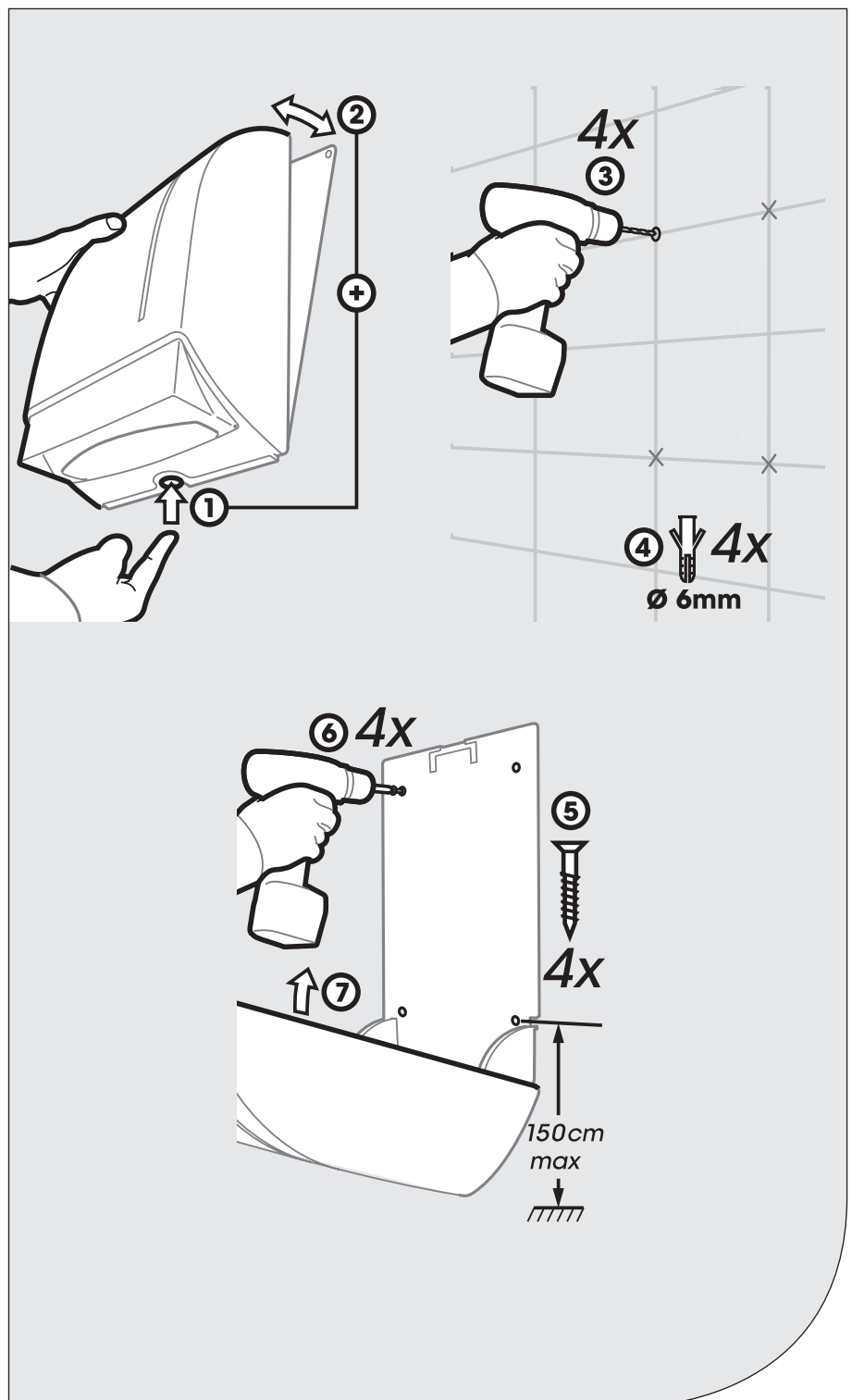
Item No.

331930

332770



PT30



WEPA Professional GmbH

Rönkhäuserstraße 26

D 59757 ARNSBERG

www.blacksatino.eu

info@blacksatino.eu